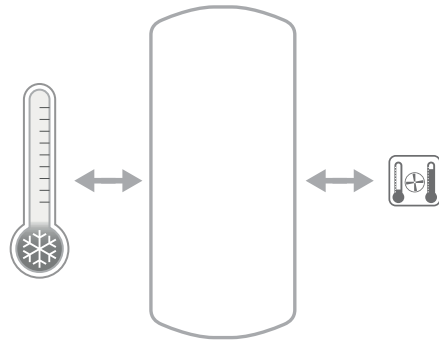


ACQUA REFRIGERATA GREZZO GC 20 VT

VERTICAL CHILLED NOT TREATED WATER TANK



PRESSURE	TEMPERATURE
Pmax 6 bar	Tmax -10 / +90 °C



APPLICATION AND TECHNICAL DESCRIPTION

Storage of chilled or hot water for inverter installations. Vertical inertial water tanks are used for inverter systems in order to increase the thermal inertia and, for those installations with a low water-capacity, avoiding that the chilling generator is continually working.

MATERIAL

Storage of chilled or hot water for inverter installations.

EXTERNAL LINING

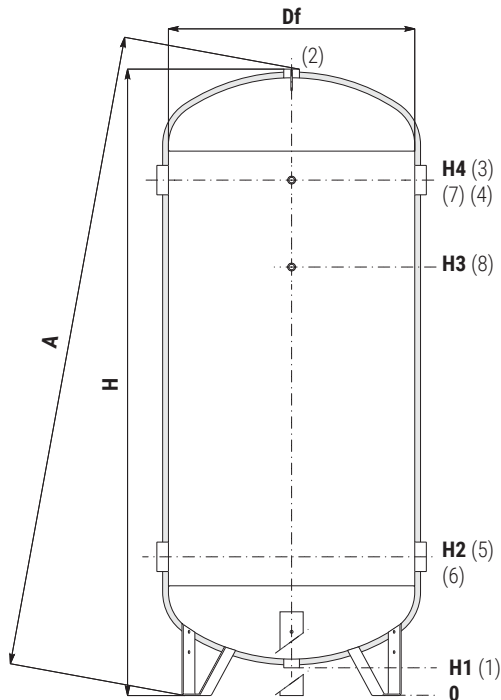
Blue PVC with plastic black caps for connections.

INSULATION

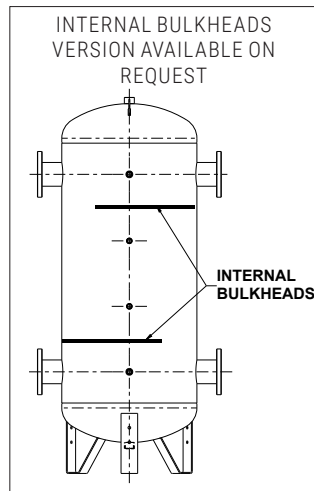
- From 100 to 5000 liters: 20 mm fixed polyethylene not subject to condensation. Not self-extinguishing version. Not removable from the tank.
- From 3000 to 5000 liters (increased insulation): 20 mm fixed polyethylene not subject to condensation joined with NOFIRE® 50 mm soft polyester fleece 100% made of recyclable material, with high Thermal insulation. Fire resistance class B-s2d0 according to EN 13501.

WARRANTY

2 years
See general sales conditions and warranty.



- 1 Drain
- 2 Safety Valve
- 3 4 5 6 To the System
- 7-8 Connection for instrumentation 1/2" Gas F



Model	ACQ. REF. GC 20 VT (20 mm Not self-stinguishing insulation)	
	Art. Nr.	
100	3001162131101	
200	3001162131102	
300	3001162131103	
500	3001162131104	
800	3001162131105	
1000	3001162131106	
1500	3001162131107	
2000	3001162131108	
2500	3001162131113	
3000	3001162131109	
4000	3001162131110	
5000	3001162131112	
Model	ACQ. REF. GC 20+50 VT (with increased insulation)	
	Art. Nr.	
3000	3001162310510	
4000	3001162310511	
5000	3001162310512	

Model	Weight	Volume	Df	H	A	H1	H2	H3	H4	1-2	3-4-5-6	7-8
	[Kg]	[litres]										
100	32	101	400	1006	1017	73	287	592	792	1"1/4	1"1/2	1/2"
200	53	190	450	1407	1415	68	297	927	1177	1"1/4	1"1/2	1/2"
300	67	292	550	1518	1529	129	404	994	1244	1"1/4	2"	1/2"
500	101	501	650	1810	1821	121	441	1241	1491	1"1/4	3"	1/2"
800	147	788	750	2108	2119	108	458	1458	1758	1"1/4	3"	1/2"
1000	170	1034	850	2162	2178	96	479	1479	1779	1"1/2	3"	1/2"
1500	183	1432	950	2351	2386	121	490	1700	2000	2"	3"	1/2"
2000	219	1970	1100	2421	2437	105	509	1719	2019	2"	3"	1/2"
2500	274	2300	1250	2289	2304	149	619	1519	1819	2"	4"	1/2"
3000	321	2908	1250	2804	2826	149	619	1919	2319	2"	4"	1/2"
4000	442	3749	1400	2878	2904	133	648	1948	2348	2"	4"	1/2"
5000	565	4964	1600	2916	2948	111	656	1956	2356	2"	4"	1/2"